



Solid State Devices, Inc.

14701 Firestone Blvd * La Mirada, CA 90638
Phone: (562) 404-4474 * Fax: (562) 404-1773
ssdi@ssdi-power.com * www.ssdi-power.com

SSR1045G

10 AMP SURFACE MOUNT SCHOTTKY RECTIFIER 45 VOLTS

Designer's Data Sheet

Part Number / Ordering Information^{1/}

SSR 10 45 G

- Current** 10 = 10 A
- Voltage** 45 = 45 V
- Package** G = Cerpack
- Screening^{2/}**
 - = Not Screened
 - TX = TX Level
 - TXV = TXV Level
 - S = S Level

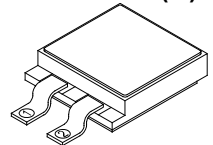
- FEATURES:**
- Low reverse leakage
 - Low forward voltage drop
 - Hermetically sealed surface mount package
 - Guard ring for overvoltage protection
 - Eutectic die attach
 - 175°C operating temperature
 - Available in higher voltages up to 200V – consult factory
 - Custom lead forming available
 - TX, TXV, and S level screening available - consult factory^{2/}

MAXIMUM RATINGS ^{3/}		Symbol	Value	Unit
Peak Repetitive Reverse and DC Blocking Voltage		V_{RRM} V_{RWM} V_R	45	Volts
Average Rectified Forward Current (Resistive load, 60 Hz, sine wave, $T_A = 25^\circ\text{C}$)		I_O	10	Amps
Peak Surge Current (8.3 ms pulse, half sine wave superimposed on I_O , allow junction to reach equilibrium between pulses, $T_A = 25^\circ\text{C}$)		I_{FSM}	150	Amps
Operating & Storage Temperature		T_{OP} & T_{stg}	-65 to +175	°C
Maximum Thermal Resistance (Junction to Case)		$R_{\theta JC}$	1.0	°C/W

NOTES:

- 1/ For ordering information, price, and availability - contact factory.
- 2/ Screening based on MIL-PRF-19500. Screening flows available on request.
- 3/ Unless otherwise specified, all electrical characteristics @25°C.

CERPACK (G)





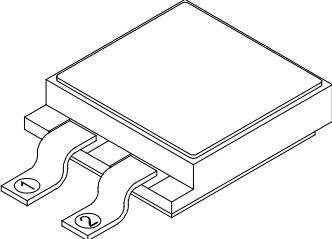
Solid State Devices, Inc.

14701 Firestone Blvd * La Mirada, CA 90638
 Phone: (562) 404-4474 * Fax: (562) 404-1773
 ssdi@ssdi-power.com * www.ssdi-power.com

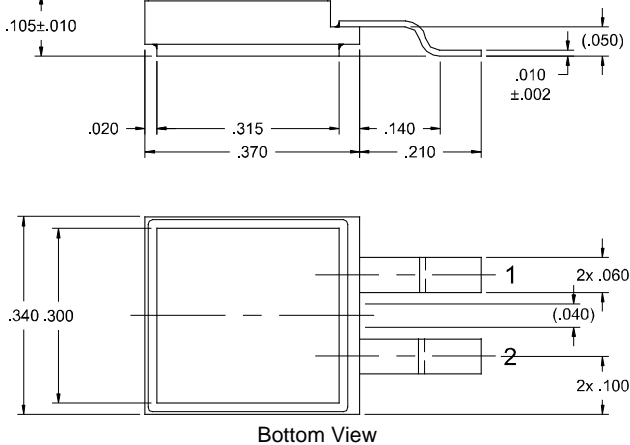
SSR1045G

ELECTRICAL CHARACTERISTICS ^{3/}		Symbol	Max	Units
Instantaneous Forward Voltage Drop ($T_A=25^\circ\text{C}$, 300 μsec pulse)	$I_F = 5 \text{ A}$	V_{F1}	0.52	V_{DC}
	$I_F = 10 \text{ A}$	V_{F2}	0.63	
Instantaneous Forward Voltage Drop ($T_A=-55^\circ\text{C}$, 300 μsec pulse)	$I_F = 5 \text{ A}$	V_{F3}	0.58	V_{DC}
Reverse Leakage Current (Rated V_R , $T_A = 25^\circ\text{C}$, 300 μsec pulse minimum)		I_{R1}	100	μA
Reverse Leakage Current (Rated V_R , $T_A = 100^\circ\text{C}$, 300 μsec pulse minimum)		I_{R2}	10	mA
Junction Capacitance ($V_R = 10\text{V}$, $f = 1\text{MHz}$, $T_A = 25^\circ\text{C}$)		C_J	400	pF

Package Outline: CERPACK



PIN OUT:
 PIN 1: ANODE 1
 PIN 2: ANODE 2
 TAB: CATHODE



Bottom View